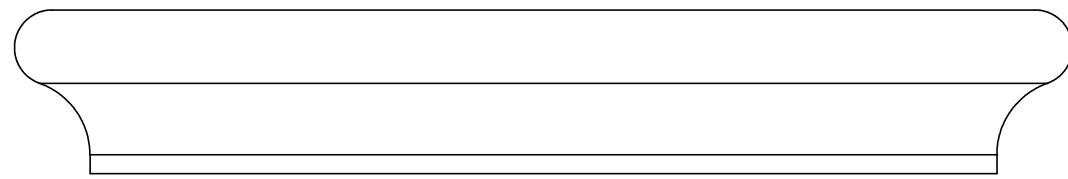
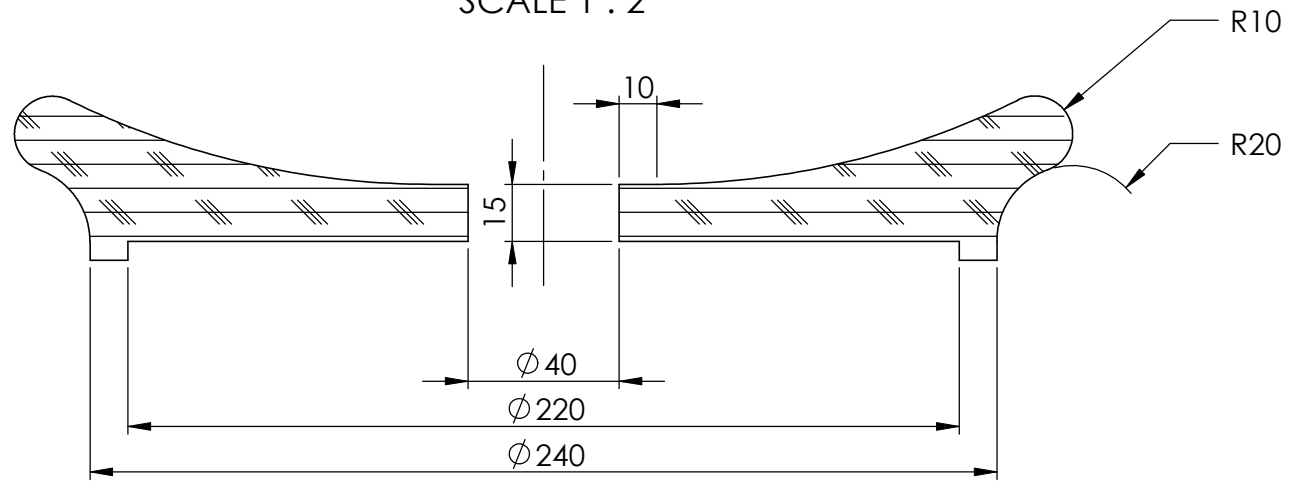
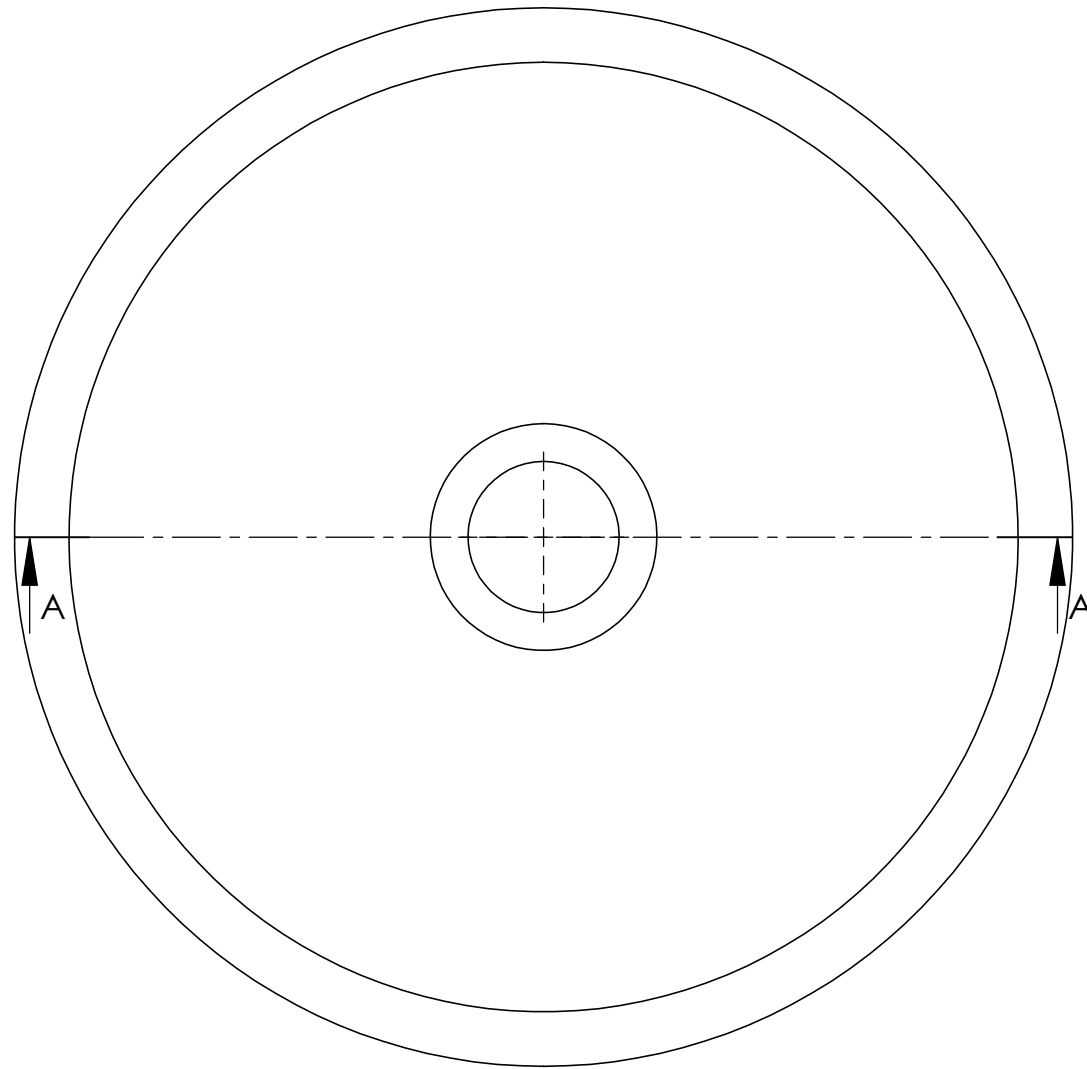


SECTION A-A
SCALE 1 : 2



Elevation



Plan



Bottom
View



UNIVERSITY OF LIMERICK

M. McGrory

Base Working
Drawings

0721042

Drg No: